



GEZE ACTIVESTOP  
NEW DOOR CONTROL



## CONTENTS

Door damping from GEZE	<b>4</b>
GEZE ActiveStop	<b>5</b>
Overview of damping ranges	<b>8</b>
GEZE House	<b>10</b>

## Door damping from GEZE

Draw-in dampers make your life easier in many areas of everyday life. Whether consciously perceived or operated intuitively – they always give the feeling of comfort and high quality, for example, on cabinet doors, kitchen cupboards, safe covers or even toilet seats. With GEZE ActiveStop, the draw-in damper for swing doors for internal application without fire protection requirements, this feeling also becomes a reality for interior doors.

Greater access convenience – and a completely new door feeling: the new integrated door damper GEZE ActiveStop can stop doors gently, close them quietly and keep them open with ease. That means that slammed doors, trapped fingers and defects in walls or furniture are a thing of the past. Thanks to the compact dimensions, the double-sided draw-in damper can be installed in almost any standard door panel, is hardly visible thus conforming to the most demanding designs.



Installation situation (photo: GEZE GmbH)

## GEZE ActiveStop

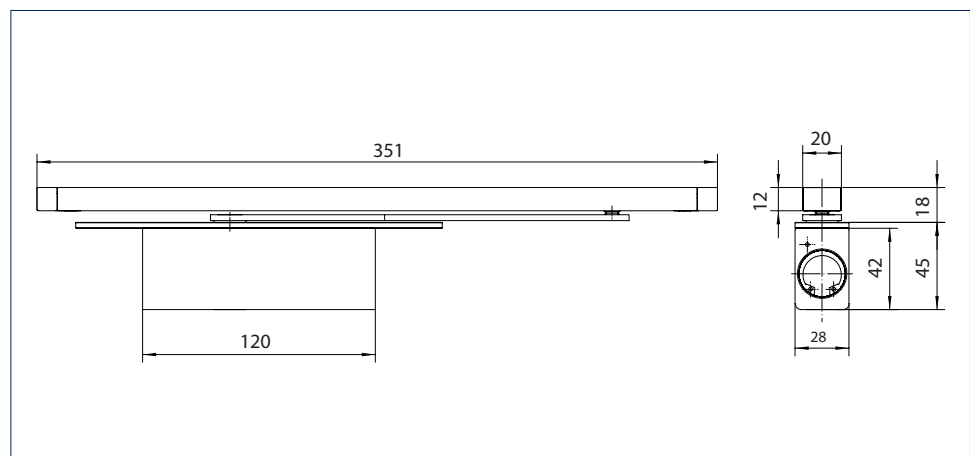
### New door control

The new double-sided GEZE ActiveStop draw-in damper allows for a new kind of convenience when entering a room. The clever function ensures the controlled opening and closing of swing doors with a weight of up to 45 kg. The GEZE ActiveStop is only 28 millimetres wide and can be inconspicuously integrated into the door leaf. When the door is being closed, the draw-in damper draws the door in softly and safely from around 25 degrees. Door-slamming – due to a draught or inattention – with possible damage to the door or a risk of trapping fingers is virtually eliminated. The door stays shut independently. A lock with latch and strike plate is not necessary. The opening of the door is also damped. The GEZE ActiveStop gently draws the door to the maximum opening width, which can be flexibly adjusted between 80 and 140 degrees.



Focus Open 2015  
Silver

### GEZE ActiveStop



### APPLICATION AREA

- For controlled dampened opening and closing of interior swing doors
- For doors with leaf thickness of 38 mm or above
- Max. 45 kg door leaf weight
- Max. 1100 mm door leaf width
- For DIN left and DIN right single-action doors
- For rebated and closing flush doors

### PRODUCT FEATURES

- Draw-in damping in closing direction starting from approx. 25°
- Draw-in damping in opening direction starting from approx. 60°
- Resistance-free door operation between 25° and 60°
- Door opening angle continuously adjustable between 80° and 140°
- Opening and closing damping when installed can be set via a valve
- No additional door stopper required
- Barrier-free in accordance with DIN 18040-2 due to low opening forces
- Easy maintenance due to low number of individual parts and quick setting

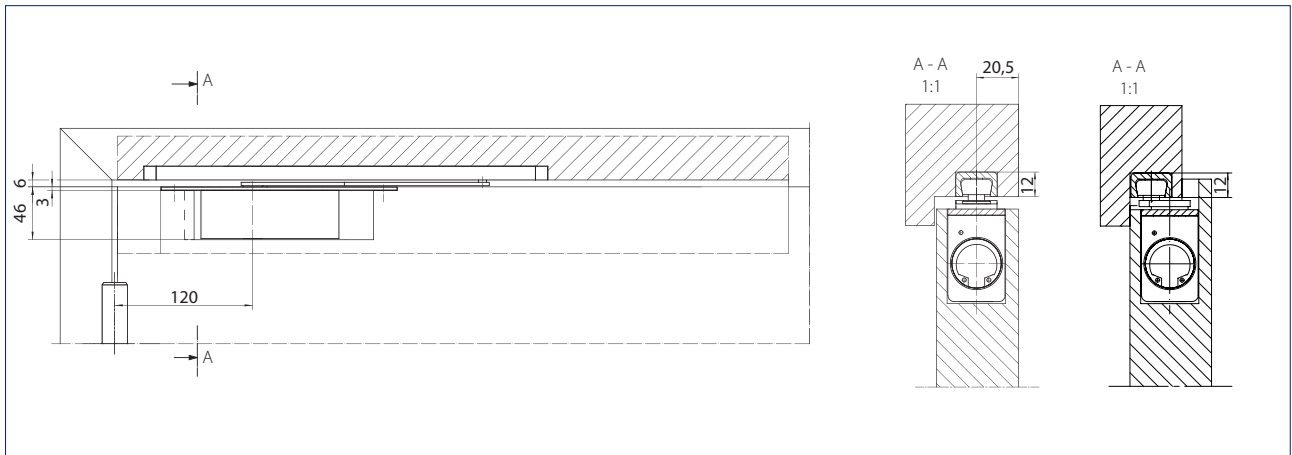
## TECHNICAL DATA

Product features	GEZE ActiveStop
Length	352 mm
Installation width	28 mm
Installation depth	46 mm
Optimised function up to	45 kg
Recommended leaf width up to	1100 mm
Leaf thickness from	38 mm
Same version for DIN left and DIN right	•
Leaf material	Wood interior doors
Rebate	approx. 5 mm clearance in handle area
Leaf type	rebated and closing flush
Installation type	concealed
Adjustable draw-in damper	Yes, via valve
Draw-in damper in direction of closing movement from	25 °
Free swing area	25 – 60 °
Draw-in damper in direction of opening movement from	60 °
Adjustable door opening angle	Yes, stepless
Door opening angle	80 – 140 °
Secured final position	safe holding of the door in the open position, no door stopper needed
Integrated safety valve against overload	•
Product tested in accordance with	DIN 18040-2
Door latch block	Included in delivery,

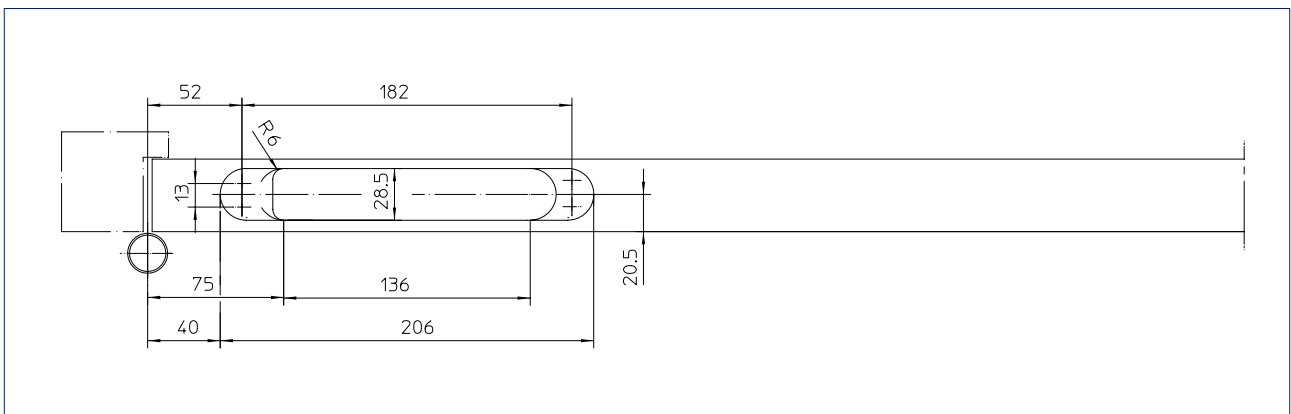
• = YES

## DRAWINGS

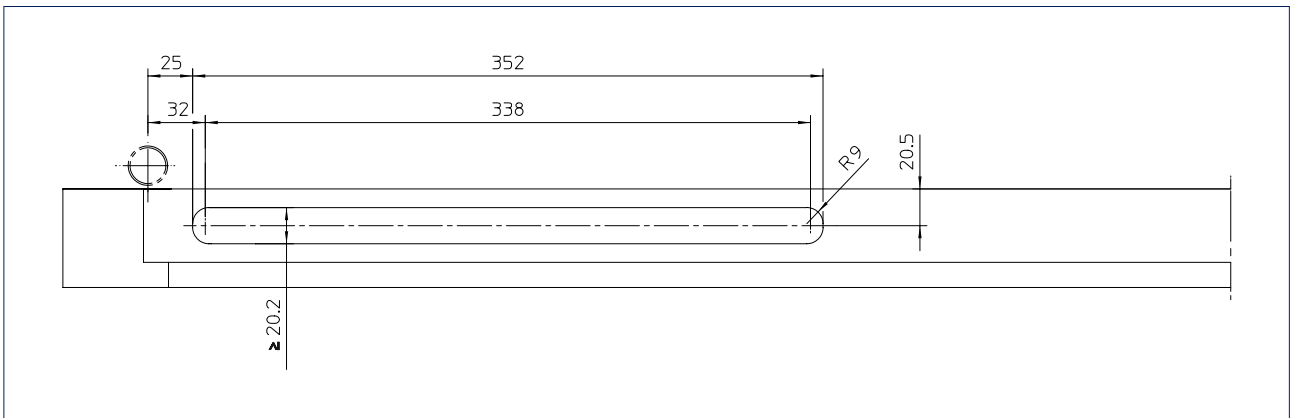
### Installation drawing



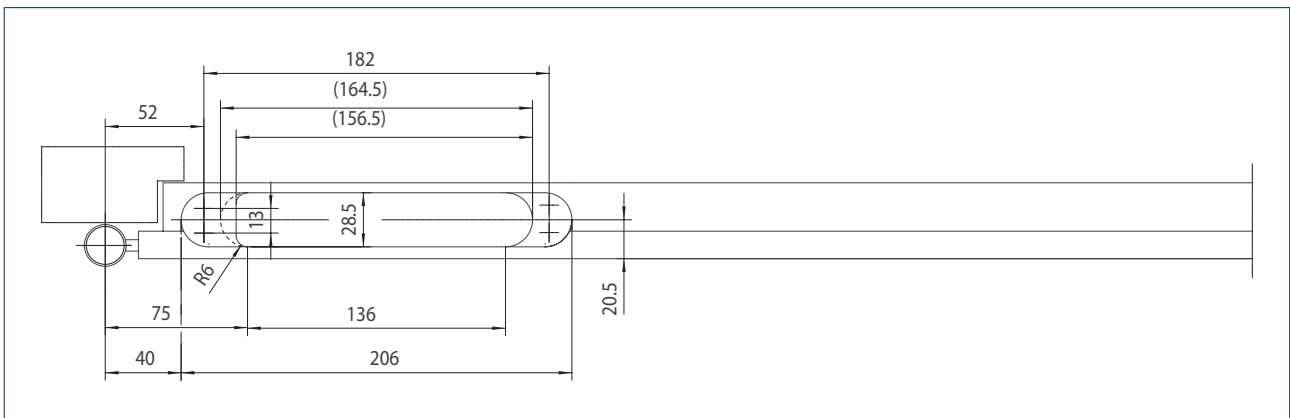
### Door leaf finish for flush impact doors



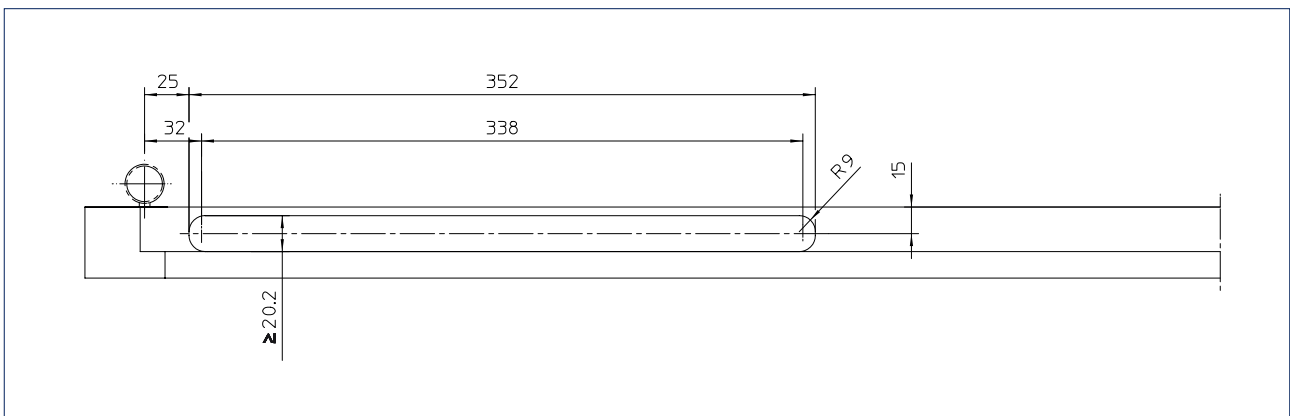
Door frame finish for flush impact doors



Door leaf finish for rebated doors



Door frame finish for rebated doors



## OVERVIEW OF DAMPING RANGES



- 1 = Damping in closing direction from 25° with ~ 10 Nm closing moment
- 2 = "Free swing" between 25° and 60°
- 3 = Damping in opening direction from 60° up to maximum 140°
- 4 = Variable opening restriction can be set in the rail via the damping element

### ADVANTAGES IN CLOSING DIRECTION

- Gentle, controlled braking and retraction of door when closing from an angle of 25°
- No uncontrolled slamming of door (due to draughts or carelessness)
- No damage to frame, door leaf, etc. when slamming door
- Minimises the risk of trapped fingers
- No noise development
- Door stays shut independently, no lock (lock case, latch, strike plate) necessary indoors

### ADVANTAGES IN OPENING DIRECTION

- Gentle retracting of door in maximum open position (adjustable from 60° to 140°)
- No damage to walls, door leaves or furniture when opening door
- Comfortable for users (e.g. when carrying a large bag or a child in one's arms)
- No floor buffer or wall buffer necessary



**ORDERING INFORMATION GEZE ACTIVESTOP**

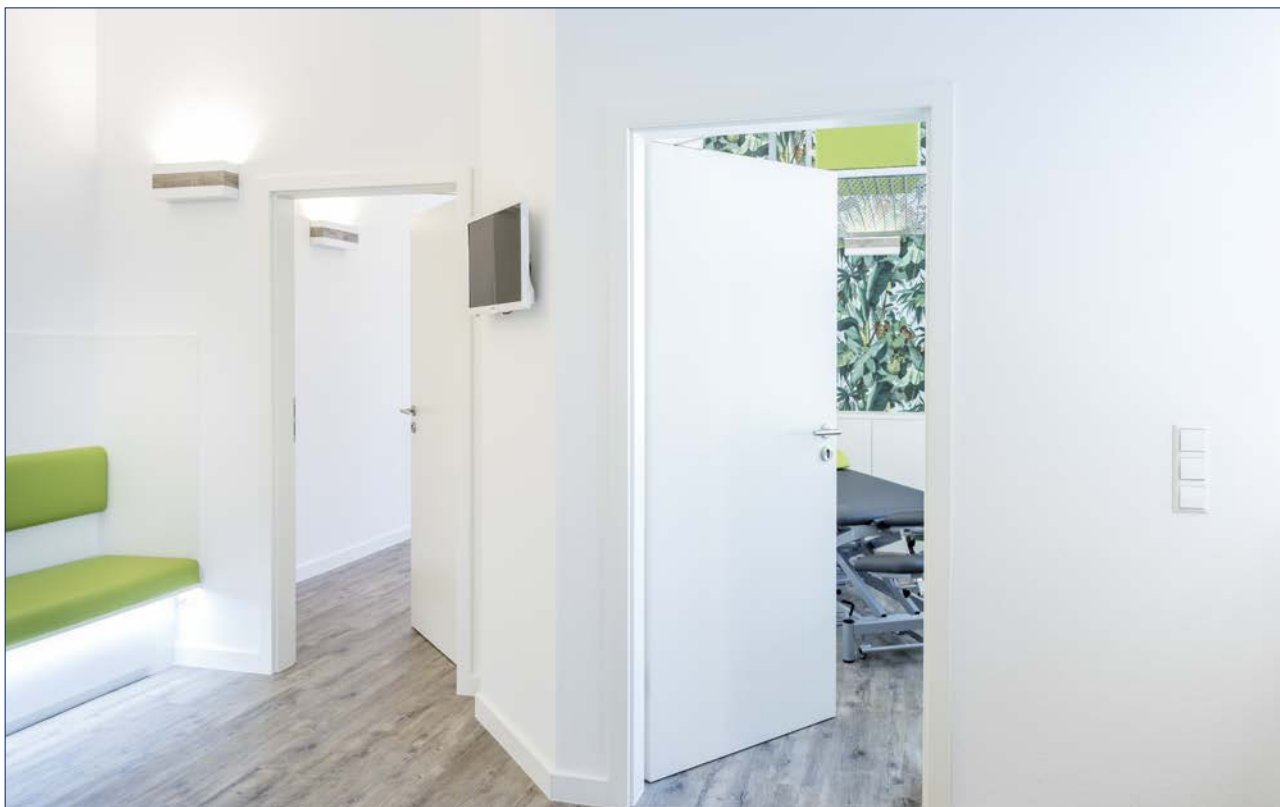
Description	Version	ID no.
<p>GEZE ActiveStop (ready-to-install complete set in fine silver)                      Scope of delivery: GEZE ActiveStop, slide rail with slide block and end buffer, connection handle, universal door latch block, installation material</p>	Silver	163411
<b>Accessories</b>		
<p>Mill template                      For the preparation of the door leaf and frame with a customary router</p>		166886
<p>Fixing plates for guide rails                      For securing the guide rail in wooden frames with insufficient screw-in depth of the fixing screws</p>		165814



Milling template  
 (166886)



Fixing plates for guide rails  
 (165814)

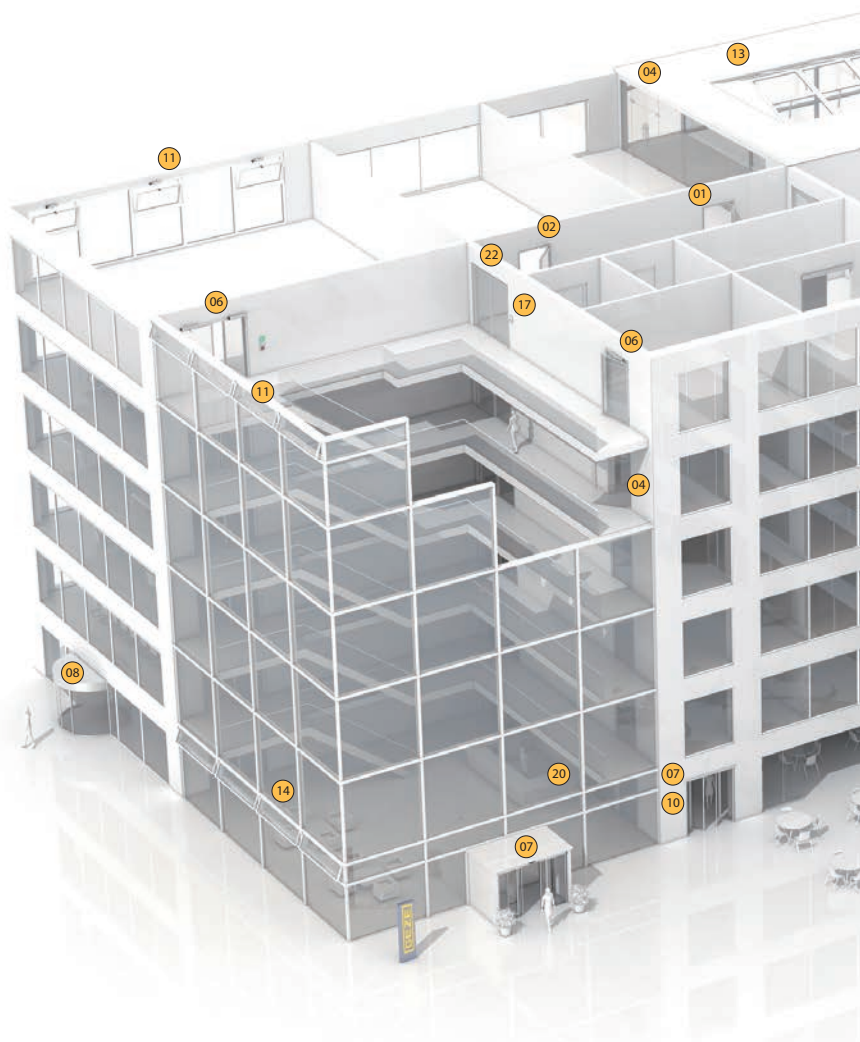


Physiotherapy practice "Behandelbar", Sindelfingen, Germany (photo: Jürgen Pollak)

# POSSIBLE AREAS OF APPLICATION FOR GEZE PRODUCTS

Further product information is provided in the specific brochure, see ID numbers.

<b>Door technology</b>	
<b>01</b>	Overhead door closers ID 091586, ID 091587
<b>02</b>	Hold-open systems ID 091586, ID 091587
<b>03</b>	Integrated door closers ID 091592
<b>04</b>	Floor springs and all-glass fittings ID 091590
<b>05</b>	Sliding door gear systems and linear guides ID 123180, ID 004477
<b>Automatic door systems</b>	
<b>06</b>	Swing doors ID 143725
<b>07</b>	Sliding, telescopic and folding doors ID 143059
<b>08</b>	Circular - and semi-circular sliding doors ID 134398
<b>09</b>	Revolving doors ID 131929
<b>10</b>	Actuation devices and sensors ID 142648
<b>RWA and window technology</b>	
<b>11</b>	Fanlight opening systems ID 127786
<b>12</b>	Electrical opening and locking systems ID 152257
<b>13</b>	Electric spindle and linear drives ID 152257
<b>14</b>	Electrically-operated chain drives ID 152257
<b>15</b>	Smoke and heat extraction systems (RWA) ID 152257
<b>Safety technology</b>	
<b>16</b>	Emergency exit systems ID 132167
<b>17</b>	Access control systems ID 131413
<b>18</b>	Panic locks ID 132847
<b>19</b>	Electric strikes ID 146453
<b>20</b>	Building management system ID 132167
<b>Glass systems</b>	
<b>21</b>	MSW Manual sliding wall systems ID 104164
<b>22</b>	IGG Integrated all-glass systems ID 090108



# POSSIBLE AREAS OF APPLICATION FOR GEZE PRODUCTS




---

## Door technology

---

GEZE door closers benefit from convincing functional diversity, high efficiency and a long life span. A uniform design, combination with all standard door leaf widths and weights and individual settings make the choice easy. They are continuously developed and are supplemented with contemporary features. For example, fire protection and accessibility requirements can be fulfilled with a door closer system.

---

## Automatic door systems

---

GEZE automatic door systems open up an almost unlimited range of door design options. State-of-the-art innovative and highly efficient drive technology, safety, accessible convenience and first-class, universal drive design throughout are what set them apart from the competition. GEZE offers complete solutions designed to meet individual requirements.

---

## RWA and window technology

---

GEZE smoke and heat extraction systems and ventilation technology stand for system solutions, which link the different requirements for every aspect of windows. The complete offering ranges from energy-efficient drive systems to natural ventilation through to complete fresh air supply and exhaust air solutions, as well as certified NRWGs.

---

## Safety technology

---

GEZE safety technology is decisive when preventive fire protection, access control and protection against theft is required in escape and rescue routes. GEZE offers individual solutions and coordinated solution concepts for each of these objectives, which link the individual safety requirements in one intelligent system and close doors and windows in a coordinated way in the event of danger.

---

## Building Systems

---

With the building system, GEZE system solutions for door, window and safety technology can be integrated in the building safety and control. Used as the central control and visualisation system it monitors a wide range of automation components in the building management system and offers safety through diverse networking options.

---

## Glass systems

---

GEZE glass systems for open and transparent room design. They fit subtly into the building's architecture, or stand out and accentuate it. GEZE offers all kinds of different technologies for functional and aesthetic sliding wall or sliding door systems made for frequent and heavy use, with diverse scope for individual design and safety.

**GEZE GmbH**  
**P.O. Box 1363**  
**71226 Leonberg**  
**Germany**

**GEZE GmbH**  
**Reinhold-Vöster-Straße 21-29**  
**71229 Leonberg**  
**Germany**  
**Telefon +49 7152 203 0**  
**Telefax +49 7152 203 310**  
**www.geze.com**

**Germany**  
 GEZE GmbH  
 Niederlassung Süd-West  
 Breitwiesenstraße 8  
 71229 Leonberg  
 Tel. +49 7152 203 594  
 Fax +49 7152 203 438  
 leonberg.de@geze.com

GEZE GmbH  
 Niederlassung Süd-Ost  
 Parking 17  
 85748 Garching bei München  
 Tel. +49 7152 203 6440  
 Fax +49 7152 203 77050  
 muenchen.de@geze.com

GEZE GmbH  
 Niederlassung Ost  
 Albert-Einstein-Ring 5  
 14532 Kleinmachnow bei Berlin  
 Tel. +49 7152 203 6840  
 Fax +49 7152 203 76849  
 berlin.de@geze.com

GEZE GmbH  
 Niederlassung Mitte/Luxemburg  
 Adenauerallee 2  
 61440 Oberursel (b. Frankfurt)  
 Tel. +49 7152 203 6888  
 Fax +49 7152 203 6891  
 frankfurt.de@geze.com

GEZE GmbH  
 Niederlassung West  
 Heltorfer Straße 12  
 40472 Düsseldorf  
 Tel. +49 7152 203 6770  
 Fax +49 7152 203 76770  
 duesseldorf.de@geze.com

GEZE GmbH  
 Niederlassung Nord  
 Albert-Schweitzer-Ring 24-26 (3. OG)  
 22045 Hamburg  
 Tel. +49 7152 203 6602  
 Fax +49 7152 203 76608  
 hamburg.de@geze.com

GEZE Service GmbH  
 Niederlassung Süd-West  
 Reinhold-Vöster-Straße 25  
 71229 Leonberg  
 Tel. +49 1802 923392  
 Fax +49 7152 9233 359  
 service-leonberg.de@geze.com

GEZE Service GmbH  
 Niederlassung Süd  
 Parking 17  
 85748 Garching bei München  
 Tel. +49 1802 923392  
 Fax +49 7152 9233 859  
 service-muenchen.de@geze.com

GEZE Service GmbH  
 Niederlassung Mitte  
 Oberurseler Str. 69  
 61440 Oberursel  
 Tel. +49 1802 923392  
 Fax +49 7152 9233 659  
 service-oberursel.de@geze.com

GEZE Service GmbH  
 Niederlassung West  
 Heltorfer Straße 12  
 40472 Düsseldorf  
 Tel. +49 1802 923392  
 Fax +49 7152 9233 559  
 service-duesseldorf.de@geze.com

GEZE Service GmbH  
 Niederlassung Ost  
 Albert-Einstein-Ring 5  
 14532 Kleinmachnow bei Berlin  
 Tel. +49 1802 923392  
 Fax +49 7152 9233 759  
 service-berlin.de@geze.com

GEZE Service GmbH  
 Niederlassung Nord  
 Albert-Schweitzer-Ring 24-26 (3. OG)  
 22045 Hamburg  
 Tel. +49 1802 923392  
 Fax +49 7152 9233 459  
 service-hamburg.de@geze.com

**Austria**  
 GEZE Austria  
 Wiener Bundesstrasse 85  
 A-5300 Hallwang  
 Tel: +43 6225 87180  
 Fax: +43 6225 87180 299  
 austria.at@geze.com

**Baltic States –  
 Lithuania / Latvia / Estonia**  
 Tel. +371 678960 35  
 baltic-states@geze.com

**Benelux**  
 GEZE Benelux B.V.  
 Industrieterrein Kapelbeemd  
 Steenoven 36  
 5626 DK Eindhoven  
 Tel. +31 4026290 80  
 Fax +31 4026290 85  
 benelux.nl@geze.com

**Bulgaria**  
 GEZE Bulgaria - Trade  
 Representative Office  
 Nickolay Haitov 34 str., fl. 1  
 1172 Sofia  
 Tel. +359 247043 73  
 Fax +359 247062 62  
 office-bulgaria@geze.com

**China**  
 GEZE Industries (Tianjin) Co., Ltd.  
 Shuangchenzhong Road  
 Beichen Economic Development  
 Area (BEDA)  
 Tianjin 300400, P.R. China  
 Tel. +86 22 26973995  
 Fax +86 22 26972702  
 chinasales@geze.com.cn

GEZE Industries (Tianjin) Co., Ltd.  
 Branch Office Shanghai  
 Jia Little Exhibition Center  
 Room C 2-102  
 Shenzhuan Rd. 6000  
 201619 Shanghai, P.R. China  
 Tel. +86 21 52340960  
 Fax +86 21 64472007  
 chinasales@geze.com.cn

GEZE Industries (Tianjin) Co., Ltd.  
 Branch Office Guangzhou  
 Room 17 C 3  
 Everbright Bank Building, No.689  
 Tian He Bei Road  
 510630 Guangzhou, P.R. China  
 Tel. +86 20 38731842  
 Fax +86 20 38731834  
 chinasales@geze.com.cn

GEZE Industries (Tianjin) Co., Ltd  
 Branch Office Beijing  
 Room 04-05, 7th Floor  
 Red Sandalwood Plaza  
 No. 27 Jianguo Road  
 Chaoyang District  
 100024 Beijing, P.R.China  
 Tel. +86 10 85756009  
 Fax +86 10 85758079  
 chinasales@geze.com.cn

**France**  
 GEZE France S.A.R.L.  
 ZAC de l'Orme Rond  
 RN 19  
 77170 Servon  
 Tel. +33 1 606260 70  
 Fax +33 1 606260 71  
 france.fr@geze.com

**Hungary**  
 GEZE Hungary Kft.  
 Hungary-2051 Biatorbágy  
 Vendel Park  
 Huber u. 1.  
 Tel. +36 23532 735  
 Fax +36 23532 738  
 office-hungary@geze.com

**Iberia**  
 GEZE Iberia S.R.L.  
 C/ Andorra 24  
 08830 Sant Boi de Llobregat  
 (Barcelona)  
 Tel. +34 902194 036  
 Fax +34 902194 035  
 info@geze.es

**India**  
 GEZE India Private Ltd.  
 MF 2 & 3, Guindy Industrial Estate  
 Ekkattuthangal  
 Chennai 600 097  
 Tamilnadu  
 Tel. +91 44 406169 00  
 Fax +91 44 406169 01  
 office-india@geze.com

**Italy**  
 GEZE Italia S.r.l  
 Sede di Vimercate  
 Via Fiorbellina 20  
 20871 Vimercate (MB)  
 Tel. +39 0399530401  
 Fax+39 039 9530459/419  
 italia.it@geze.com

Sede di Roma  
 Via Lucrezia Romana, 91  
 00178 Roma  
 Tel. +39 06 726531 1  
 Fax +39 06 726531 36  
 roma@geze.biz

**Poland**  
 GEZE Polska Sp.z o.o.  
 ul. Marywilska 24  
 03-228 Warszawa  
 Tel. +48 224 404 440  
 Fax +48 224 404 400  
 geze.pl@geze.com

**Romania**  
 GEZE Romania S.R.L.  
 IRIDE Business Park,  
 Str. Dimitrie Pompeiu nr. 9-9a,  
 Building 10, Level 2, Sector 2,  
 020335 Bucharest  
 Tel.: +40 212507 750  
 Fax: +40 316201 258  
 office-romania@geze.com

**Russia**  
 OOO GEZE RUS  
 Gamsnovskiy Per. 2  
 115191 Moscow  
 Tel. +7 495 93306 59  
 Fax +7 495 93306 74  
 office-russia@geze.com

**Scandinavia – Sweden**  
 GEZE Scandinavia AB  
 Mallslingan 10  
 Box 7060  
 18711 Täby, Sweden  
 Tel. +46 87323 400  
 Fax +46 87323 499  
 sverige.se@geze.com

**Scandinavia – Norway**  
 GEZE Scandinavia AB avd. Norge  
 Industriveien 34 B  
 2073 Dal  
 Tel. +47 63957 200  
 Fax +47 63957 173  
 norge.se@geze.com

**Scandinavia – Denmark**  
 GEZE Danmark  
 Branch office of GEZE Scandinavia AB  
 Mårkærvej 13 J-K  
 2630 Taastrup  
 Tel. +45 463233 24  
 Fax +45 463233 26  
 danmark.se@geze.com

**Singapore**  
 GEZE (Asia Pacific) Pte. Ltd.  
 21 Bukit Batok Crescent  
 #23-75 Wcega Tower  
 Singapore 658065  
 Tel: +65 6846 1338  
 Fax: +65 6846 9353  
 gezesea@geze.com.sg

**South Africa**  
 Geze South Africa (Pty) Ltd.  
 GEZE, Building 3, 1019 Morkels Close  
 Midrand 1685  
 Tel: + 87 94337 88  
 Fax: + 86 66137 52  
 info@gezesa.co.za

**Switzerland**  
 GEZE Schweiz AG  
 Zelglimatte 1A  
 6260 Reiden  
 Tel. +41 62 28554 00  
 Fax +41 62 28554 01  
 schweiz.ch@geze.com

**Turkey**  
 GEZE Kapı ve Pencere Sistemleri  
 San. ve Tic. Ltd. Sti.  
 İstanbul Anadolu Yakası Organize  
 Sanayi Bölgesi  
 Gazi Bulvarı Caddesi 8.Sokak No:8  
 Tuzla-İstanbul  
 Tel. + 90 216 45543 15  
 Fax + 90 216 45582 15  
 office-turkey@geze.com

**Ukraine**  
 LLC GEZE Ukraine  
 ul. Viskoznaya, 17,  
 Building 93-B, Office 12  
 02660 Kiev  
 Tel./Fax +38 445012225  
 office-ukraine@geze.com

**United Arab Emirates/GCC**  
 GEZE Middle East  
 P.O. Box 17903  
 Jebel Ali Free Zone  
 Dubai  
 Tel. +971 48833 112  
 Fax +971 48833 240  
 gezeme@geze.com

**United Kingdom**  
 GEZE UK Ltd.  
 Blenheim Way  
 Fradley Park  
 Lichfield  
 Staffordshire WS13 8SY  
 Tel. +44 15434430 00  
 Fax +44 15434430 01  
 info.uk@geze.com

GEZE REPRESENTATIVE